

4

3

2

1

THIS DRAWING IS UNPUBLISHED.

RELEASED FOR PUBLICATION

20

© COPYRIGHT 20 BY -

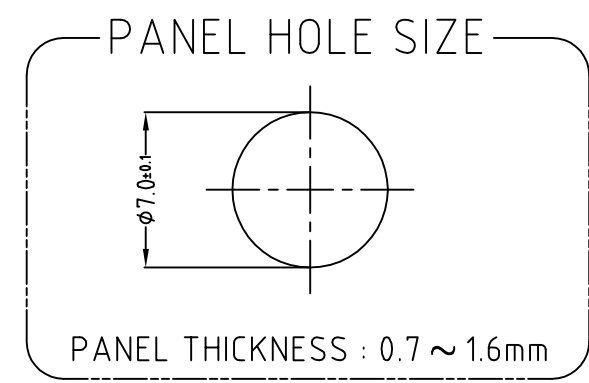
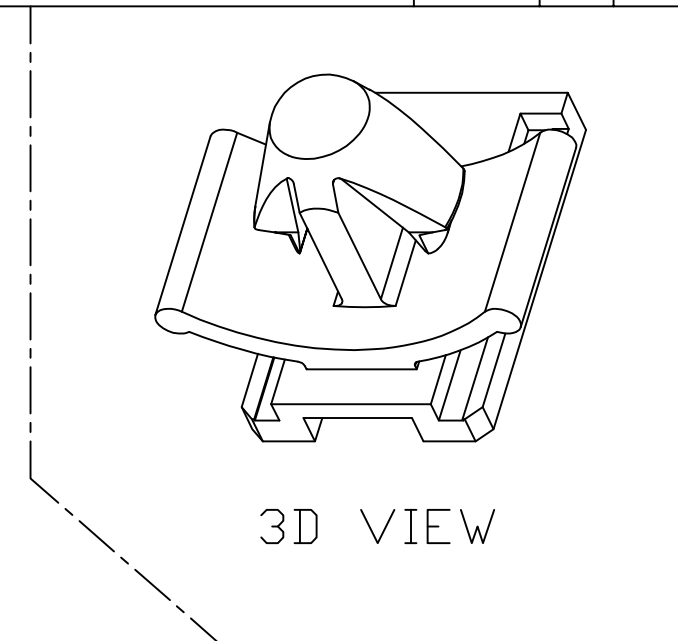
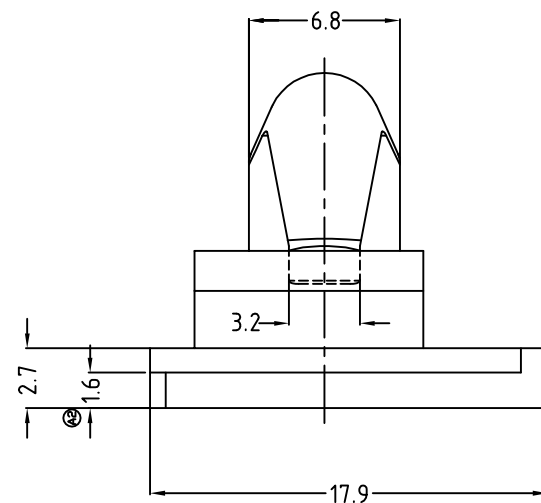
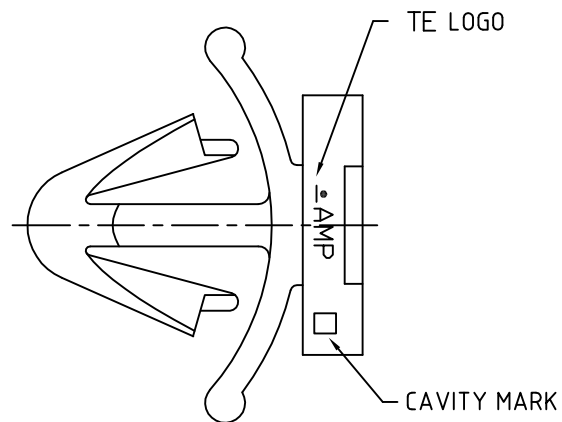
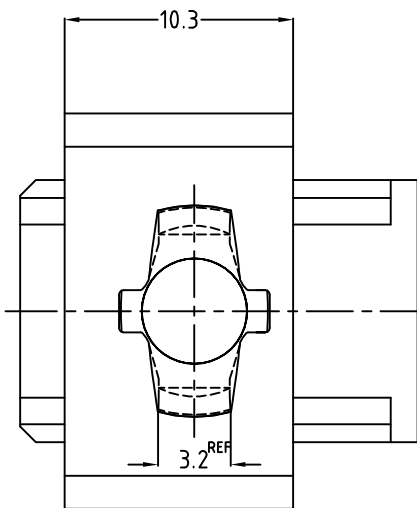
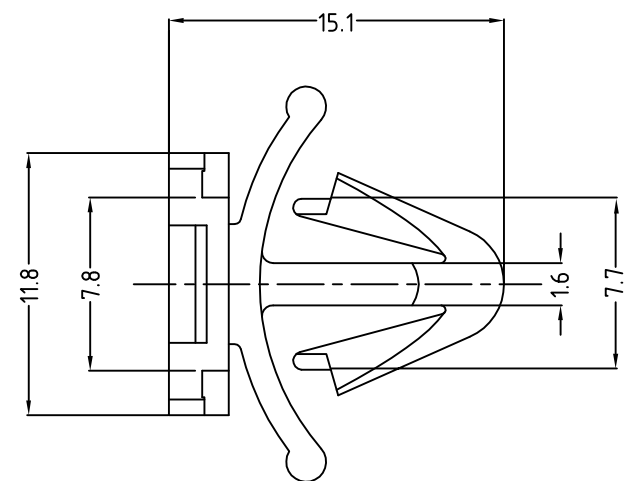
ALL RIGHTS RESERVED.

LOC DS


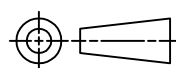
DIST -

REVISIONS

P	LTR	DESCRIPTION	DATE	DWN	APVD
	A3	REVISED (ECR-13-005245)	07.MAR.'13	JM	HG



BLACK	PA66	368260-2
NATURAL	PA66	368260-1
COLOR	MATERIAL	P/N

THIS DRAWING IS A CONTROLLED DOCUMENT.		DWN JM JEON	 TE Connectivity			
DIMENSIONS: MM		CHK JW JUNG				
		APVD HG CHD	NAME CLIP HSG FOR .090II MLC(Ø7 HOLE)			
TOLERANCES UNLESS OTHERWISE SPECIFIED: 0 <XX<10 ± 0.2 10<XX<30 ± 0.25 30<XX ± 0.3 ANGLES ± 3°		PRODUCT SPEC -	SIZE A3	CAGE CODE 00779	DRAWING NO C=368260	RESTRICTED TO -
MATERIAL -		APPLICATION SPEC -	SCALE 3/1 SHEET 1 OF 1 REV A3			
FINISH		WEIGHT -				